

STIHL

STIHL AL 101, 300, 500

Instruction Manual
Manual de instrucciones



WARNING

Read Instruction Manual thoroughly before use and follow all safety precautions – improper use can cause serious or fatal injury.

ADVERTENCIA

Antes de usar la máquina lea y siga todas las precauciones de seguridad dadas en el manual de instrucciones – el uso incorrecto puede causar lesiones graves o mortales.



Instruction Manual

1 - 14

Manual de instrucciones

15 - 29

Contents

1 INTRODUCTION	2	13.4 FCC 15 Compliance Statement	11
2 GUIDE TO USING THIS MANUAL	2	14 REPLACEMENT PARTS AND EQUIPMENT	13
2.1 Signal Words	2	14.1 Genuine STIHL Replacement Parts	13
2.2 Symbols in Text	2	15 DISPOSAL	13
3 MAIN PARTS	3	15.1 Disposal of the Charger	13
3.1 Charger	3	16 LIMITED WARRANTY	13
4 SAFETY SYMBOLS ON THE PRODUCTS	3	16.1 STIHL Incorporated Limited Warranty Policy	13
4.1 Charger	3	17 TRADEMARKS	13
5 IMPORTANT SAFETY INSTRUCTIONS	3	17.1 Registered Trademarks	13
5.1 Introduction	3	17.2 Common Law Trademarks	13
5.2 Intended Use	4	18 ADDRESSES	14
5.3 Warnings and Instructions	4	18.1 STIHL Incorporated	14
6 MAINTENANCE, REPAIR AND STORAGE	6		
6.1 Warnings and Instructions	6		
7 CHARGING THE BATTERY	6		
7.1 Setting up the Charger	6		
7.2 Charging	7		
7.3 Mounting the Charger on a Wall	8		
8 LED DIAGNOSTICS	8		
8.1 LED on the Charger	8		
9 TRANSPORTING	8		
9.1 Charger	8		
10 STORING	9		
10.1 Charger	9		
11 INSPECTION AND MAINTENANCE	9		
11.1 Charger	9		
12 TROUBLESHOOTING GUIDE	10		
12.1 Charger	10		
13 SPECIFICATIONS	11		
13.1 STIHL AL 101, AL 300, AL 500	11		
13.2 Symbols on the Charger	11		
13.3 Engineering Improvements	11		

STIHL

This instruction manual is protected by copyright. All rights reserved, especially the rights to reproduce, translate and process with electronic systems.

1 INTRODUCTION

Thank you for your purchase. The information contained in this manual will help you receive maximum performance and satisfaction from your STIHL charger and, if followed, reduce the risk of injury from its use.

SAVE THIS MANUAL!



Special safety precautions must be observed to reduce the risk of personal injury.



Read this instruction manual thoroughly before use and periodically thereafter. Follow all safety precautions. Careless or improper use of the charger can cause serious or fatal injury.

Do not lend or rent your charger without this instruction manual. Allow only persons who fully understand the information in this manual to operate the charger.

For further information, or if you do not understand any of the instructions in this manual, please go to www.stihlusa.com (for Canada: www.stihl.ca) or contact your authorized STIHL servicing dealer.

2 GUIDE TO USING THIS MANUAL

2.1 Signal Words

This manual contains safety information that requires your special attention. Such information is introduced with the following symbols and signal words:



DANGER

Indicates a hazardous situation that, if not avoided, will result in death or serious injury.



WARNING

Indicates a hazardous situation that, if not avoided, could result in death or serious injury.

NOTICE

Indicates a risk of property damage, including damage to the machine or its individual components.

2.2 Symbols in Text

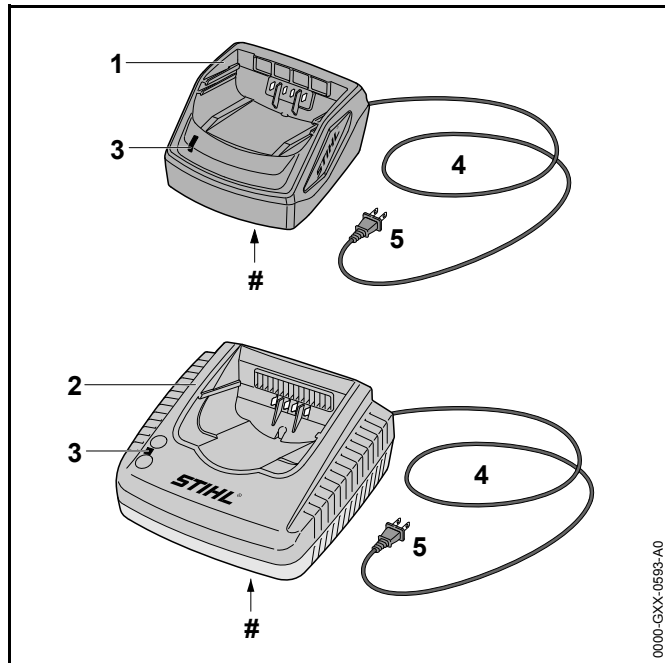
The following symbol is included to assist you with the use of the manual:



Refers to a designated chapter or sub-chapter in this instruction manual.

3 MAIN PARTS

3.1 Charger



0000-GXX-0583-A0

1 Charger AL 101

Charges STIHL AK or STIHL AP series batteries.

2 Chargers AL 300 and AL 500

Charges STIHL AK, STIHL AP or STIHL AR series batteries.

3 Charger LED

Indicates the operating status of the charger.

4 Power Supply Cord

Supplies the charger with electricity when plugged into an electrical outlet.

5 Plug

Connects the power supply cord to an electrical outlet.

Rating Plate

Contains electrical information and the product's serial number.

4 SAFETY SYMBOLS ON THE PRODUCTS

4.1 Charger

The following safety symbols are found on the charger:




To reduce the risk of injury, follow the specified safety precautions.



Read and follow all safety precautions in the instruction manual. Improper use can lead to serious or fatal personal injury or property damage.



To reduce the risk of personal injury or property damage from fire or electric shock, keep the charger dry. Protect it from rain, water, liquids and damp conditions. For indoor use only,  5.

5 IMPORTANT SAFETY INSTRUCTIONS

5.1 Introduction

This section contains the prescribed general safety warnings and instructions for battery chargers. Additional important warnings and instructions are provided in subsequent sections of this manual.

READ ALL INSTRUCTIONS BEFORE USING THE CHARGER!

▲ WARNING

- When using battery chargers, basic safety precautions should always be followed to reduce the risk of fire, electric shock and personal injury and property damage, including the following:
 - 1) SAVE THESE INSTRUCTIONS – This manual contains important safety instructions for STIHL AL 101, AL 300 and AL 500 battery chargers.
 - 2) Before using the battery charger, read all instructions and cautionary markings on the charger, battery and product using the battery.
 - 3) CAUTION – To reduce the risk of injury, use the STIHL AL 101 to charge only genuine STIHL AK or AP series batteries. Use the STIHL AL 300 and AL 500 to charge only genuine STIHL AK, AP or AR series batteries. Other types of batteries may burst causing serious personal injury and property damage.

5.2 Intended Use

▲ WARNING

- The STIHL AL 101 charger is designed for charging STIHL AK and AP series batteries only.
- Improper use could result in personal injury or property damage, including damage to the charger.
 - Use the charger only as described in this manual.
 - Never attempt to modify or override the charger's controls or safety devices in any way.
 - Never use a charger that has been modified or altered from its original design.
- The STIHL AL 300 and AL 500 chargers are designed for charging STIHL AK, AP and AR series batteries only.

5.3 Warnings and Instructions

▲ WARNING

- To reduce the risk of fire, electric shock and other personal injury or property damage:
 - Before using the charger, read this instruction manual and all instructions and warnings on the charger, battery and product using the battery.
 - Use the STIHL AL 101 to charge only genuine STIHL AK or AP series batteries. Other batteries may burst, catch fire or explode, resulting in personal injury and property damage.
 - Use the STIHL AL 300 or AL 500 to charge only genuine STIHL AK, AP or AR series batteries. Other batteries may burst, catch fire or explode, resulting in personal injury and property damage.



- For indoor use only.
- Keep the charger dry. Protect it from rain, water, liquids and damp conditions. Never insert a wet battery or use a wet charger.
- Do not handle the charger, including power supply cord and plug, with wet hands.
- Never use a damaged charger.
- Never charge malfunctioning, damaged, cracked, leaking or deformed batteries.
- Never store a battery in the charger.
- Operate the charger only indoors, in dry rooms and within an ambient temperature range of 41 °F to 104 °F (5 °C to 40 °C).
- Keep the charger out of the reach of children.
- Always plug the charger into a properly installed electrical outlet matching the voltage and electrical frequency stated on the charger.
- Never use power strips to operate multiple chargers or other devices from the same outlet or on the same circuit.

- Do not operate a charger that has received a sharp or heavy blow, has been dropped or is otherwise damaged in any way.
- Do not attempt to repair, open or disassemble the charger. There are no user-serviceable parts inside.
- To reduce the risk of electric shock or fire from a short circuit:
 - Make sure the battery and charger are completely dry before starting the charging process.
 - Never bridge the contacts of the charger with wires or other metallic objects.
 - Do not insert any objects into the charger's cooling slots.
- The charger heats up during the charging process. To reduce the risk of fire:
 - Do not operate on a combustible surface (e.g., paper, cardboard, textiles) or in a combustible environment.
 - Allow the charger to cool down normally. Do not cover it.
- Chargers can produce sparks which may ignite combustible gases, liquids, vapors, dusts or other combustible materials. To reduce the risk of fire and explosion:
 - Do not operate in a location where combustible gases, liquids, vapors, dusts or other combustible materials are present.
- Using a damaged power supply cord or plug may result in fire, electric shock and other personal injury or property damage. To reduce these risks:
 - Check the charger's power supply cord and plug regularly for damage. If damaged, immediately disconnect the plug from the electrical outlet.
 - Have a damaged power supply cord replaced by an authorized STIHL servicing dealer.
 - Unplug the power supply cord from the outlet when the charger is not in use.
- Never jerk the power supply cord to disconnect it from the electrical outlet. To unplug, grasp the plug, not the power supply cord.
- Do not use the power supply cord for carrying or hanging up the charger.
- Make sure the power supply cord is located or marked so that it will not be stepped on, tripped over, come in contact with sharp objects or moving parts, or otherwise be subjected to damage or stress.
- An extension cord should not be used unless absolutely necessary. Overloading an extension cord can result in overheating and fire. If an extension cord must be used:
 - Use only a properly wired 16 gauge (AWG 16) or heavier gauge extension cord.
 - Never connect more than one charger or other device to an extension cord.
 - Never use an extension cord with a wattage rating lower than the wattage on your charger's rating plate.
 - Never use an extension cord if the blades on its plug are different from the blades on the charger plug in number, size or shape.
 - Do not link (chain) extension cords.
- A typical household electrical circuit is between 15 and 20 amps. A single STIHL AL 500 charger draws approximately 4.8 amps. A single AL 300 draws approximately 4.4 amps and an AL 101 approximately 1.3 amps. To reduce the risk of fire from overloading an electrical circuit:
 - Ensure the electrical system is rated to withstand the expected electrical draw before charging your battery.
 - Charge multiple batteries one at a time or on separate circuits, unless you know your circuit can handle the total expected draw from multiple chargers.



- In case of fire, or if the charger or the battery it is charging emits smoke, an unusual smell, feels hot or appears abnormal in any other way:
 - Immediately disconnect the charger from the outlet and prepare to contact the authorities in the event of fire or explosion.
- To reduce the risk of electric shock and other personal injury or property damage when mounting the charger:
 - Ensure that no electrical cables, pipes or other service lines run behind the wall where the charger is to be mounted.
 - Mount the charger only as described in this manual.
 - Remove the battery before mounting the charger.
- Improper storage can result in unauthorized use, damage to the charger, and an increased risk of fire, electric shock and other personal injury or property damage.
 - Never store the charger with the battery inserted.
 - Before storing, always unplug the charger from the electrical outlet and remove the battery.
 - Store the charger indoors in a dry, secure place that cannot be accessed by children or other unauthorized users.

6 MAINTENANCE, REPAIR AND STORAGE

6.1 Warnings and Instructions

WARNING



- There are no user-authorized repairs for the charger. To reduce the risk of fire, electric shock or other personal injury and property damage:
 - Do not attempt to repair, open or disassemble the charger. There are no user-serviceable parts inside.
 - Users may carry out only the cleaning and maintenance operations described in this manual.
- To reduce the risk of electric shock:
 - Unplug the charger from the electrical outlet before inspecting or cleaning the charger.
 - Regularly check the electrical contacts of the charger and ensure that the insulation of the power cord and plug are in good condition and show no signs of aging (brittleness), wear or damage.
 - Have a damaged power supply cord replaced by an authorized STIHL servicing dealer.

SAVE THESE INSTRUCTIONS


7 CHARGING THE BATTERY

7.1 Setting up the Charger

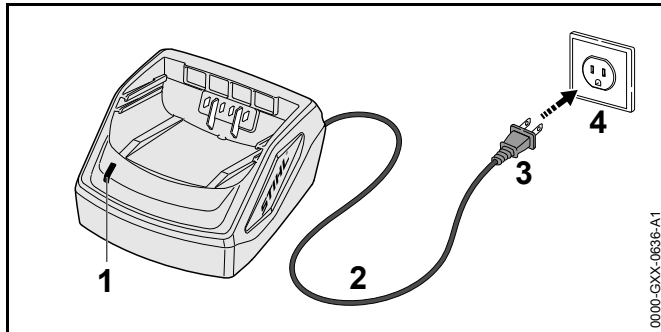
WARNING

Read and follow the safety precautions on the battery and charger and the warnings and instructions in this manual,  5. To reduce the risk of short circuit, which could lead to electric shock, fire and explosion, make sure the charger and its components are dry and not damaged; operate the charger indoors at an appropriate ambient temperature,  5.

WARNING

Since the battery and charger heat up during the charging process, do not operate the charger on a combustible surface or in a location where combustible gases, liquids, vapors, dusts or other materials are present,  5.

To set up the charger:



- ▶ Insert the plug (3) into a properly installed wall outlet (4) matching the voltage and electrical frequency stated on the rating plate on the charger.

The charger runs a self-test immediately after it is plugged in. The LED (1) will glow green for about 1 second, then it will glow red briefly before going out. Once the LED goes out, the self-test is complete and the charger is ready to charge the battery.

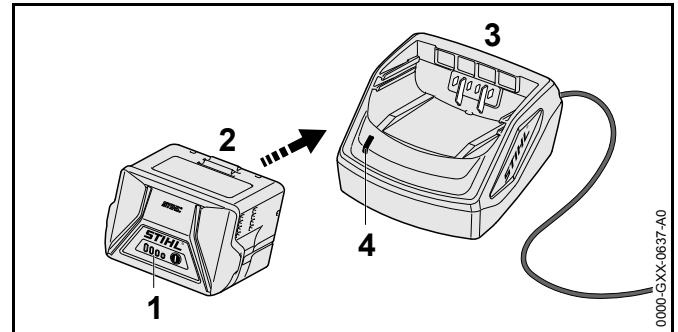
- ▶ Position the power supply cord (2) so that it will not be stepped on, tripped over, come in contact with sharp objects or moving parts or otherwise be subjected to damage or stress.

7.2 Charging

⚠ WARNING

STIHL batteries contain safety features and devices which, if damaged, may allow the battery to generate heat, rupture, leak, ignite or explode. Never charge a malfunctioning, damaged, cracked, leaking or deformed battery or use a charger that has been damaged, 5. Make sure the charger and the battery to be charged are both completely dry before charging, 5.3. Follow all product-specific warnings and instructions accompanying your battery.

To charge the battery:



- ▶ Push the battery (2) into the charger (3) until it stops. The LED on the charger glows green when the battery is charging.

The LEDs (1) on the battery glow green and show the state of charge.

When the LEDs on the battery go out, the charging process is complete and the charger will shut itself off. The battery can be removed from the charger.

- ▶ Disconnect the power supply cord from the electrical outlet when the charger is not in use.

A battery is not fully charged when it ships from the factory. STIHL recommends that you fully charge the battery before using it the first time.

The STIHL AL 300 and AL 500 chargers are equipped with an integrated fan. The fan may switch on and off automatically while charging the battery.

Operate the charger only indoors, in dry rooms and within an ambient temperature range of 41 °F to 104 °F (5 °C to 40 °C).

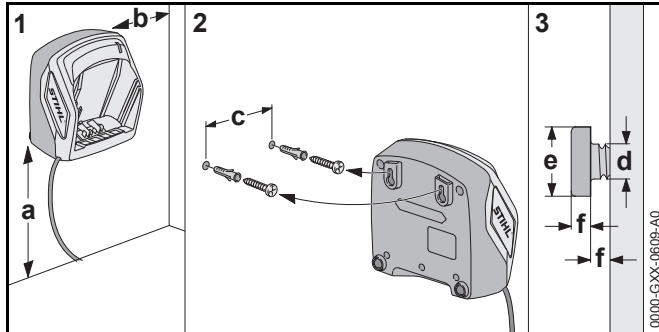
The battery heats up during operation. If a hot battery is inserted into the charger, it may be necessary for it to cool down before charging starts. The charging process begins only after the battery has cooled down sufficiently.

Charging time depends on a number of factors, including battery condition and the ambient temperature. For a complete list of approximate charging times, see www.stihl.com/charging-times.

7.3 Mounting the Charger on a Wall

When mounting, ensure that no electrical cables, pipes or other service lines run in the wall behind the charger.

To mount the wall charger:



- ▶ Mount the charger indoors in a dry room near an electrical outlet.
- ▶ Sink the screws into a wall stud. Use appropriate screw-in wall anchors or other similar mounting devices if an appropriate wall stud is not available.
- ▶ Align the charger as shown above. Mount to a wall with the following dimensions:
 - a = minimum 18 in. (450 mm)
 - b = minimum 3.9 in. (100 mm)
 - c (for AL 101) = 3.0 in. (75 mm)
 - c (for AL 300 and AL 500) = 4.7 in. (120 mm)
 - d = 0.2 in. (4,5 mm)
 - e = 0.4 in. (9 mm)
 - f = 0.1 in. (2,5 mm)

8 LED DIAGNOSTICS

8.1 LED on the Charger

One LED shows the status of the charger. The LED can glow green or flash red.



If the LED glows green continuously: the battery is being charged.

or

The battery is too hot or too cold for charging. To determine, check the LEDs on the battery. If there is one glowing red light, allow the battery to warm up or cool down gradually at an ambient temperature of about 50 °F to 68 °F (10 °C to 20 °C).



If the LED flashes red: there is no electric contact between the battery and the charger. Remove and reinsert the battery.

or

The battery has a malfunction and must be replaced. Check the LEDs on the battery. Do not use or charge a battery if its LEDs indicate a malfunction.

or

The charger has a malfunction. Have it checked by an authorized STIHL servicing dealer before use.

For more information, 12.

9 TRANSPORTING

9.1 Charger

To properly transport the charger:

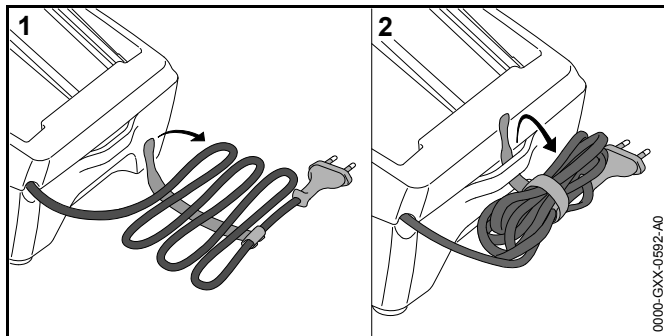
- ▶ Disconnect the charger from the electrical outlet.
- ▶ Remove the battery from the charger.
- ▶ Wrap the power supply cord and attach it to the charger.
- ▶ When transporting the charger in a vehicle, secure and position the charger to prevent turnover, impact and damage.

10STORING

10.1 Charger

To properly store the charger:

- ▶ Remove the battery from the charger.
- ▶ Disconnect the charger from the electrical outlet.



- ▶ Wrap the power supply cord and attach it to the charger.
- ▶ Store the charger indoors in a dry and secure location.
- ▶ Keep it out of the reach of children and other unauthorized persons.

11INSPECTION AND MAINTENANCE

11.1 Charger

⚠ WARNING

To reduce the risk of personal injury from short circuit and fire, do not attempt to repair, open or disassemble the charger. There are no user-serviceable parts inside. Always unplug the charger before cleaning.

To properly care for your charger:

- ▶ Keep the charger housing and electrical contacts free from foreign matter.
- ▶ Clean the charger as necessary with a dry cloth or soft, dry brush.
- ▶ Have a damaged power supply cord replaced by an authorized STIHL servicing dealer.
- ▶ Have worn, missing or damaged safety labels replaced by an authorized STIHL servicing dealer.

If you make a warranty claim for a component that has not been serviced or maintained properly, coverage may be denied.

12 TROUBLESHOOTING GUIDE

12.1 Charger

Condition	LEDs on Charger	Cause	Remedy
LED on charger flashes red.	LED flashes red.	No electrical contact between charger and battery.	▶ Remove the battery and reinsert it into the charger.
		Malfunction in battery.	▶ Remove the battery and reinsert it into the charger. ▶ If the LED continues to flash, do not attempt to charge. If 4 LEDs on the battery are flashing, it has a malfunction and must be replaced. Otherwise, have the battery checked by an authorized STIHL servicing dealer.
		Malfunction in charger.	▶ Have the charger checked by an authorized STIHL servicing dealer.
The charger does not run a self test.	The LED glows not green for about 1 second and then red for about 1 second.	Electrical contact to charger was briefly interrupted.	▶ Disconnect the plug from the wall outlet. ▶ Wait 1 minute. ▶ Insert the plug in a wall outlet.

13 SPECIFICATIONS

13.1 STIHL AL 101, AL 300, AL 500

- Mains voltage: See rating plate
- Rated current: See rating plate
- Frequency: See rating plate
- Charging current: See rating plate
- Rated power: See rating plate
- Insulation: See rating plate
- Permissible ambient temperature range during charging:
41 °F to 104 °F (5 °C to 40 °C)

⚠ WARNING

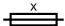
- A typical household electrical circuit is between 15 and 20 amps. A single STIHL AL 500 charger draws approximately 4.8 amps. A single AL 300 draws approximately 4.4 amps and an AL 101 approximately 1.3 amps. To reduce the risk of fire from overloading an electrical circuit:
 - Ensure the electrical system is rated to withstand the expected electrical draw before charging your battery.
 - Charge multiple batteries one at a time or on separate circuits, unless you know your circuit can handle the total expected draw from multiple chargers.


13.2 Symbols on the Charger


Symbol	Explanation
V	Volt
Hz	Hertz
A	Ampere
W	Watt


Symbol	Explanation
AC	Alternating current
IP20	Degree of electrical protection
X	The power supply cord can be replaced by an authorized STIHL servicing dealer.


— Direct current


 Fuse


 Read the manual

 Insulation: Class II (Double Insulation)

 Use and store charger only indoors in dry rooms

 Certification/listing mark of CSA

 California Energy Commission. This battery system complies with the California Energy Commission efficiency requirements.

 Manufacturer Code

13.3 Engineering Improvements

STIHL's philosophy is to continually improve all of its products. As a result, engineering changes and improvements are made from time to time. Therefore, some changes, modifications and improvements may not be covered in this manual. If the operating characteristics or the appearance of your machine differs from those described in this manual, please contact your STIHL dealer or the STIHL distributor in your area for assistance.

13.4 FCC 15 Compliance Statement

This device complies with part 15 of the FCC Rules.

Operation is subject to the following two conditions:

- this device may not cause harmful interference.

- this device must accept any interference received, including interference that may cause undesired operation.

Note: This equipment has been tested and found to comply with the limits for a Class B digital device, pursuant to part 15 of the FCC Rules. These limits are designed to provide reasonable protection against harmful interference in a residential installation. This equipment generates, uses and can radiate radio frequency energy and, if not installed and used in accordance with the instructions, may cause harmful interference to radio communications. However, there is no guarantee that interference will not occur in a particular installation.


If this equipment does cause harmful interference to radio or television reception, which can be determined by turning the equipment off and on, the user is encouraged to try to correct the interference by one or more of the following measures:

- reorient or relocate the receiving antenna,
- increase the separation between the equipment and receiver,
- connect the equipment to an outlet on a circuit different from that to which the receiver is connected,
- consult an authorized STIHL servicing dealer or an experienced radio/TV technician for help.

Do not change or modify this product in any way unless specifically allowed in this manual, since this could void your authority to operate it.

14 REPLACEMENT PARTS AND EQUIPMENT

14.1 Genuine STIHL Replacement Parts

STIHL recommends the use of genuine STIHL replacement parts. Genuine STIHL parts can be identified by the STIHL part number, the **STIHL** logo and, in some cases, by the STIHL parts symbol . The symbol may appear alone on small parts.

15 DISPOSAL

15.1 Disposal of the Charger

STIHL products must not be thrown in household trash or disposed of except as outlined in this manual.

- ▶ Take the charger and packaging to an approved disposal site for environmentally friendly recycling.
- ▶ Contact your authorized STIHL servicing dealer for the latest information on disposal and recycling.

16 LIMITED WARRANTY

16.1 STIHL Incorporated Limited Warranty Policy

This product is sold subject to the STIHL Incorporated Limited Warranty Policy, available at www.stihlusa.com/warranty.html. It can also be obtained from your authorized STIHL dealer or by calling 1-800-GO-STIHL (1-800-467-8445).

17 TRADEMARKS

17.1 Registered Trademarks

STIHL®

STIHL®



The color combination orange-grey (U.S. Registrations #2,821,860; #3,010,057, #3,010,058, #3,400,477; and #3,400,476)

AutoCut®

YARD BOSS®

STIHL ROLLOMATIC®

WOOD BOSS®



FARM BOSS®

iCademy®

MAGNUM®

MasterWrench Service®

MotoMix®

OILOMATIC®

ROCK BOSS®

STIHL Cutquik®

STIHL DUROMATIC®

STIHL Quickstop®



STIHL WOOD BOSS®

TIMBERSPORTS®



17.2 Common Law Trademarks

4-MIX™	HT Plus™
BioPlus™	STIHL PowerSweep™
Easy2Start™	STIHL Protech™
EasySpool™	STIHL MiniBoss™
ElastoStart™	STIHL MotoPlus 4™
Ematic™	Master Control Lever™
STIHL Precision Series™	STIHL OUTFITTERS™
FixCut™	STIHL PICCO™
Micro™	TrimCut™
Pro Mark™	STIHL M-Tronic™
Quad Power™	STIHL HomeScaper Series™
Quiet Line™	STIHL PolyCut™
STIHL Arctic™	STIHL RAPID™
STIHL Compact™	STIHL SuperCut™

STIHL Interchangeable Attachment Series™	STIHL Multi-Cut HomeScaper Series™
TapAction™	STIHL Territory™
	

This listing of trademarks is subject to change.

Any unauthorized use of these trademarks without the express written consent of ANDREAS STIHL AG & Co. KG, Waiblingen is strictly prohibited.

18ADDRESSES

18.1 STIHL Incorporated

STIHL Incorporated
 536 Viking Drive
 P.O. Box 2015
 Virginia Beach, VA
 23452-2015

Contenido

1	INTRODUCCIÓN	16	13.1	STIHL AL 101, AL 300, AL 500	26
2	GUÍA PARA EL USO DE ESTE MANUAL	16	13.2	Símbolos del cargador	26
2.1	Palabras identificadoras	16	13.3	Mejoramientos técnicos	26
2.2	Símbolos en el texto	16	13.4	Declaración de cumplimiento con norma FCC 15	27
3	PIEZAS PRINCIPALES	17	14	PIEZAS Y EQUIPOS DE REPUESTO	28
3.1	Cargador	17	14.1	Piezas de repuesto originales de STIHL	28
4	SÍMBOLOS DE SEGURIDAD EN EL PRODUCTO	17	15	DESECHO	28
4.1	Cargador	17	15.1	Eliminación del cargador	28
5	INSTRUCCIONES IMPORTANTES DE SEGURIDAD	18	16	GARANTÍA LIMITADA	28
5.1	Introducción	18	16.1	Política de garantía limitada de STIHL Incorporated	28
5.2	Uso previsto	18	17	MARCAS COMERCIALES	28
5.3	Advertencias e instrucciones	18	17.1	Marcas comerciales registradas	28
6	MANTENIMIENTO, REPARACIÓN Y ALMACENAMIENTO	20	17.2	Marcas comerciales por ley común	28
6.1	Advertencias e instrucciones	20	18	DIRECCIONES	29
7	CARGA DE LA BATERÍA	21	18.1	STIHL Incorporated	29
7.1	Preparación del cargador para el funcionamiento	21			
7.2	Carga	22			
7.3	Montaje del cargador en pared	22			
8	DIAGNÓSTICO POR LED	23			
8.1	LED en el cargador	23			
9	TRANSPORTE	23			
9.1	Cargador	23			
10	ALMACENAMIENTO	23			
10.1	Cargador	23			
11	INSPECCIÓN Y MANTENIMIENTO	24			
11.1	Cargador	24			
12	GUÍA DE SOLUCIÓN DE PROBLEMAS	25			
12.1	Cargador	25			
13	ESPECIFICACIONES	26			

STIHL

Este manual de instrucciones está protegido por derechos de propiedad intelectual. Todos los derechos reservados, especialmente los derechos de reproducción, traducción y procesamiento con sistemas electrónicos.

1 INTRODUCCIÓN

Gracias por su compra. La información que contiene este manual lo ayudará a obtener el máximo rendimiento y satisfacción del cargador STIHL, y a reducir el riesgo de lesiones que supone su uso, si dicha información se respeta.

¡CONSERVE ESTE MANUAL!



Es necesario adoptar medidas de seguridad especiales para reducir el riesgo de lesiones.



Lea este manual de instrucciones detenidamente antes del uso y periódicamente de allí en adelante. Aténgase a todas las instrucciones de seguridad. El uso descuidado o inadecuado del cargador puede causar lesiones graves o mortales.

No preste ni alquile nunca su cargador sin entregar este manual de instrucciones. Solamente las personas que comprenden la información de este manual por completo deberán manejar el cargador.

Para obtener más información, o si no comprende alguna de las instrucciones incluidas en este manual, visite www.stihlusa.com (en Canadá: www.stihl.ca) o comuníquese con el concesionario de STIHL.

2 GUÍA PARA EL USO DE ESTE MANUAL

2.1 Palabras identificadoras

Este manual contiene información sobre seguridad a la que usted debe prestar atención especial. Dicha información se indica con los siguientes símbolos y palabras identificadoras:

PELIGRO

Identifica una situación de peligro que, de no evitarse, causará lesiones graves o mortales.

ADVERTENCIA

Identifica una situación de peligro que, de no evitarse, podría causar lesiones graves o mortales.

INDICACIÓN

Indica el riesgo de daños a la propiedad, incluidos la máquina o sus componentes.

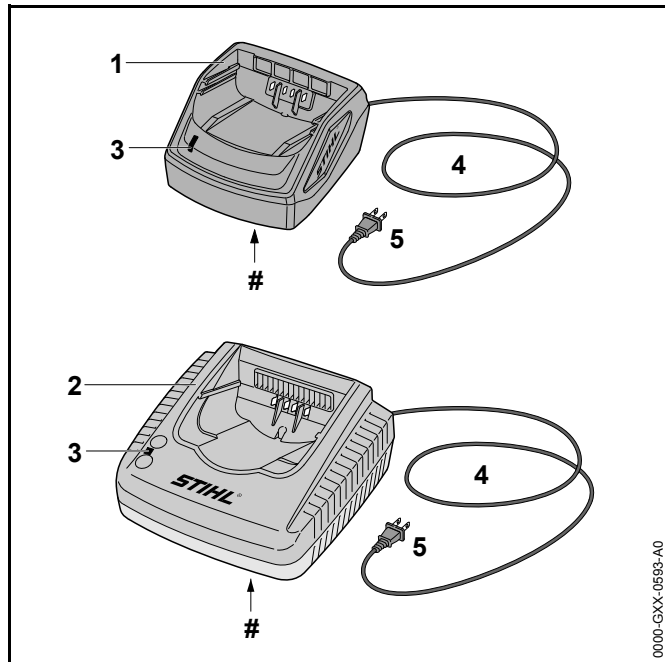
2.2 Símbolos en el texto

El siguiente símbolo tiene como finalidad ayudarlo a utilizar este manual.

Hace referencia a un capítulo o subcapítulo designado en este manual de instrucciones.

3 PIEZAS PRINCIPALES

3.1 Cargador



1 Cargador AL 101

Carga las baterías series STIHL AK o STIHL AP.

2 Cargadores AL 300 y AL 500

Carga las baterías series STIHL AK, STIHL AP o STIHL AR.

3 LED del cargador

Indica el estado de funcionamiento del cargador.

4 Cordón eléctrico

Suministra electricidad al cargador cuando está enchufado a un tomacorriente de pared.

5 Enchufe

Conecta el cable de suministro eléctrico a un tomacorriente de pared.

Chapa de información

Contiene información eléctrica y el número de serie del producto.

4 SÍMBOLOS DE SEGURIDAD EN EL PRODUCTO

4.1 Cargador

Los siguientes símbolos de seguridad están presentes en el cargador:



Para reducir el riesgo de lesiones, respete las medidas de seguridad especificadas.



Lea y respete todas las medidas de seguridad dadas en el manual de instrucciones. El uso inadecuado puede provocar lesiones personales graves o mortales o daños a la propiedad.



Para reducir el riesgo de lesiones personales o daños a la propiedad causados por incendios o descargas eléctricas, no moje el cargador. Protéjalo de la lluvia, el agua, los líquidos y las condiciones de humedad. Para uso en interior únicamente. 5.

5 INSTRUCCIONES IMPORTANTES DE SEGURIDAD

5.1 Introducción

Esta sección contiene las advertencias de seguridad generales e instrucciones prescritas para los cargadores de baterías. En las siguientes secciones de este manual, se proporcionan otras advertencias e instrucciones importantes.

¡LEA TODAS LAS INSTRUCCIONES ANTES DE USAR EL CARGADOR!

⚠ ADVERTENCIA

- Cuando se utilizan cargadores de baterías, para reducir el riesgo de incendios, choques eléctricos, lesiones personales y daños a la propiedad, siempre siga las precauciones de seguridad básicas, incluyendo las siguientes:

- 1) CONSERVE ESTAS INSTRUCCIONES – Este manual contiene instrucciones de seguridad importantes para los cargadores de baterías AL 101, AL 300 y AL 500 de STIHL.
- 2) Antes de utilizar el cargador de baterías, lea todas las instrucciones y todas las instrucciones y advertencias colocadas en el cargador, en la batería y en el producto que la utiliza.
- 3) PRECAUCIÓN – Para reducir el riesgo de lesiones, utilice el STIHL AL 101 para cargar solamente baterías originales STIHL series AK o AP. Utilice el STIHL AL 300 y el STIHL AL 500 para cargar solamente baterías originales STIHL series AK, AP o AR. Otros tipos de baterías podrían explotar, lo cual podría causar lesiones personales graves y daños a la propiedad.

5.2 Uso previsto

⚠ ADVERTENCIA

- El cargador STIHL AL 101 está diseñado para cargar solamente las baterías STIHL de las series AK y AP.
- El uso indebido puede dar por resultado lesiones personales o daños a la propiedad, incluyendo daños al cargador.
 - Utilice el cargador solo como se describe en este manual.
 - Nunca intente modificar ni anular los controles ni los dispositivos de seguridad del cargador de ningún modo.
 - Nunca utilice un cargador que haya sido modificado o alterado, apartándose de su diseño original.
- Los cargadores AL 300 y AL 500 de STIHL están diseñados para cargar solamente las baterías STIHL de las series AK, AP y AR.

5.3 Advertencias e instrucciones

⚠ ADVERTENCIA

- Para reducir el riesgo de incendios, descargas eléctricas u otras lesiones personales o daños a la propiedad:
 - Antes de utilizar el cargador, lea este manual de instrucciones y todas las instrucciones y advertencias colocadas en el cargador, en la batería y en el producto que la utiliza.
 - Utilice el STIHL AL 101 para cargar solamente baterías originales STIHL series AK o AP. Otras baterías podrían romperse, incendiarse o explotar y causar lesiones personales o daños a la propiedad.
 - Utilice el STIHL AL 300 o el STIHL AL 500 para cargar solamente baterías originales STIHL series AK, AP o AR. Otras baterías podrían romperse, incendiarse o explotar y causar lesiones personales o daños a la propiedad.



- Para uso en interior únicamente.
- No moje el cargador. Protéjalo de la lluvia, el agua, los líquidos y las condiciones de humedad. No inserte una batería mojada ni use el cargador si está mojado.
- No toque el cargador, el cordón eléctrico ni el enchufe con las manos mojadas.
- Nunca use el cargador si está roto.
- Nunca cargue baterías defectuosas, dañadas, agrietadas, deformadas o que pierdan líquido.
- Nunca guarde una batería en el cargador.
- Utilice el cargador bajo techo, únicamente en recintos secos, y a una temperatura ambiente de 5 °C a 40 °C (41 °F a 104 °F).
- Mantenga el cargador fuera del alcance de los niños.
- Siempre enchufe el cargador en un tomacorriente de pared instalado correctamente, que tenga los mismos valores de voltaje y frecuencia eléctrica que se indican en el cargador.
- Nunca use zapatillas eléctricas para hacer funcionar varios cargadores u otros dispositivos desde el mismo tomacorriente o que formen parte del mismo circuito.
- No opere el cargador si este ha recibido un fuerte golpe, o se ha caído o dañado de cualquier otro modo.
- No intente reparar, abrir o desarmar el cargador. No contiene en su interior piezas que el usuario pueda reparar.
- Para reducir el riesgo de descarga eléctrica o incendio debido a un cortocircuito:
 - Asegúrese de que la batería y el cargador estén completamente secos antes de iniciar el proceso de carga.
 - Nunca coloque un puente entre los contactos del cargador con cables u otros objetos metálicos.

- No inserte ningún objeto en las ranuras de enfriamiento del cargador.
- El cargador se calienta durante el proceso de carga. Para reducir el riesgo de incendios:
 - No haga funcionar el cargador sobre superficies que puedan incendiarse (por ejemplo, papel, cartón o telas) o en un entorno combustible.
 - Deje que el cargador se enfríe por sí solo. No lo cubra.
- Los cargadores pueden producir chispas que pueden encender los gases, líquidos, vapores, polvos u otros materiales combustibles. Para reducir el riesgo de incendio y explosión:
 - No trabaje en un lugar que tenga presentes gases, líquidos, vapores, polvos u otros materiales combustibles.

- El uso de un cable de suministro eléctrico o un enchufe dañado puede provocar incendios, descargas eléctricas y otras lesiones personales o daños a la propiedad. Para reducir estos riesgos:



- Revise regularmente el cordón eléctrico y el enchufe del cargador en busca de daños. Si están dañados, desconecte el enchufe del tomacorriente de pared inmediatamente.
- Solicite a un concesionario de servicio STIHL autorizado que reemplace un cordón eléctrico dañado.
- Desenchufe el cordón eléctrico del tomacorriente cuando el cargador no esté en uso.
- Nunca tire del cable de suministro eléctrico para desconectarlo del tomacorriente de pared. Para desenchufarlo, sujete el enchufe y no el cordón.
- No use el cordón eléctrico para transportar ni sostener el cargador.

- Compruebe que el cordón eléctrico esté ubicado o marcado de modo que no se lo pise, cause tropiezos, esté en contacto con objetos cortantes o partes móviles o, de otro modo, sujeto a daño o esfuerzo.
- No debería usarse un alargador a menos que sea absolutamente necesario. Sobrecargar un alargador puede provocar sobrecalentamiento e incendio. Si es imprescindible utilizar un alargador:
 - Solamente emplee un alargador debidamente formado con alambres calibre 16 (AWG 16) o de mayor calibre.
 - Nunca conecte más de un cargador u otro dispositivo a un alargador.
 - Nunca use un alargador cuyo vatiaje sea inferior al indicado en la placa de características del cargador.
 - Nunca use un alargador si las clavijas del enchufe difieren de las clavijas del enchufe del cargador en cuanto a la cantidad, el tamaño o la forma.
 - No una alargadores entre sí.
- Un circuito doméstico típico suministra entre 15 y 20 amperios. Un cargador STIHL AL 500 consume aproximadamente 4,8 A. Un AL 300 consume aproximadamente 4,4 A, mientras que un AL 101 consume aproximadamente 1,3 A. Para reducir el riesgo de incendios causados por la sobrecarga de un circuito eléctrico:
 - Compruebe que el circuito eléctrico tenga capacidad suficiente para suministrar el consumo eléctrico anticipado antes de cargar la batería.
 - Cargue varias baterías una por una, o en circuitos separados, a menos que se sepa que el circuito es capaz de soportar el consumo total anticipado de varios cargadores.
- En caso de incendio o si el cargador o la batería emana humo, un olor inusual, está caliente al tacto o tiene un aspecto anormal durante el proceso de carga:
 - Desconecte inmediatamente el cargador del tomacorriente y comuníquese con las autoridades pertinentes en caso de incendio o explosión.
- Para reducir el riesgo de descargas eléctricas u otras lesiones personales o daños a la propiedad al instalar el cargador:
 - Asegúrese de que no pasen cables eléctricos, tuberías u otros conductos de servicio por detrás de la pared donde se instalará el cargador.
 - Monte el cargador solo como se describe en este manual de instrucciones.
 - Retire la batería antes de montar el cargador.

6 MANTENIMIENTO, REPARACIÓN Y ALMACENAMIENTO

6.1 Advertencias e instrucciones

ADVERTENCIA

- El cargador no contiene piezas que el usuario esté autorizado a reparar. Para reducir el riesgo de incendios, descargas eléctricas u otras lesiones personales y daños a la propiedad:
 - No intente reparar, abrir o desarmar el cargador. No contiene en su interior piezas que el usuario pueda reparar.
 - Los usuarios deben efectuar únicamente los trabajos de mantenimiento y limpieza descritos en este manual.


- Para reducir el riesgo de descarga eléctrica:
 - Desenchufe el cargador del tomacorriente de pared antes de inspeccionar o limpiar el cargador.
 - Revise regularmente los contactos eléctricos del cargador y asegúrese de que el aislamiento del cordón eléctrico y el enchufe del cargador estén en buenas condiciones y no muestren signos de deterioro (fragilidad), desgaste o daño.
 - Solicite a un concesionario de servicio STIHL autorizado que reemplace un cordón eléctrico dañado.
- El almacenamiento incorrecto puede provocar un uso no autorizado, daños al cargador y un aumento del riesgo de incendio, descarga eléctrica y otras lesiones personales o daños a la propiedad.
 - Nunca guarde el cargador con la batería puesta.
 - Antes de guardar la máquina, siempre desenchufe el cargador del tomacorriente de pared y quite la batería.
 - Guarde el cargador bajo techo, en un lugar seco y bajo llave al que los niños y otras personas no autorizadas no puedan acceder.


GUARDE ESTAS INSTRUCCIONES.

7 CARGA DE LA BATERÍA


7.1 Preparación del cargador para el funcionamiento

! ADVERTENCIA

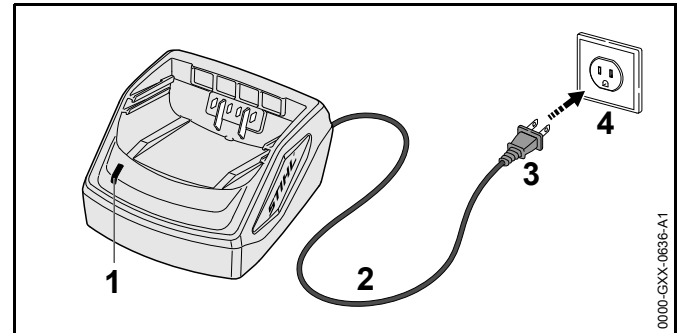
Lea y siga las precauciones e instrucciones de seguridad de la batería y del cargador en este manual,  5. Para reducir el riesgo de cortocircuito, que podría provocar una descarga eléctrica, un incendio y una explosión, asegúrese de que el

cargador y sus componentes estén secos y no estén dañados; opere el cargador puertas adentro a la temperatura ambiente adecuada,  5.

! ADVERTENCIA

Dado que la batería y el cargador se calientan durante el proceso de carga, no haga funcionar el cargador sobre superficies que puedan incendiarse o en un lugar donde haya gases, líquidos, vapores, polvo u otros materiales combustibles,  5.

Para preparar el cargador para el funcionamiento:





- Conecte el enchufe (3) a un tomacorriente de pared (4) debidamente instalado que suministre el voltaje y frecuencia indicados en la placa de características ubicada en el dorso del cargador.

El cargador ejecutará una autoprueba inmediatamente después de enchufarlo. El LED (1) se iluminará en verde durante 1 segundo aproximadamente, y luego en rojo por un lapso breve hasta apagarse. Una vez que el LED se apaga, la autoprueba ha finalizado y el cargador está listo para cargar la batería.

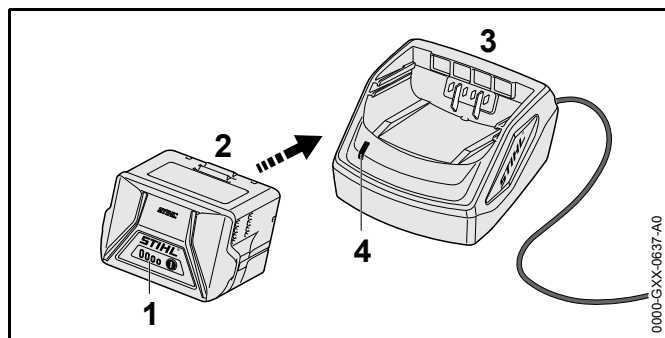
- Ubique el cordón eléctrico (2) como para que no se lo pise, cause tropiezos, esté en contacto con objetos cortantes o partes móviles o, de otro modo sujeto, a daño o esfuerzo.

7.2 Carga

⚠ ADVERTENCIA

Las baterías STIHL poseen características y dispositivos de seguridad que, de dañarse, pueden provocar que esta genere calor, se rompa, pierda líquido, se incendie o explote. Nunca cargue una batería que exhiba mal funcionamiento o esté dañada, con fugas o deformada, ni utilice un cargador averiado,  5. Asegúrese de que el cargador y la batería que cargará estén completamente secos antes de iniciar el proceso de carga,  5.3. Respete todas las advertencias e instrucciones que acompañan la batería.

Para cargar la batería:



- ▶ Inserte la batería (2) en el cargador (3) hasta que haga tope. El LED del cargador se ilumina en verde cuando la batería se está cargando.

Los LED (1) de la batería se iluminan en verde e indican el estado de la carga.

Cuando se apagan los LED de la batería, el proceso de carga está finalizado y el cargador se apaga por sí solo. La batería puede retirarse del cargador.

- ▶ Desenchufe el cordón eléctrico del tomacorriente cuando el cargador no esté en uso.

La batería no se despacha de la fábrica cargada completamente. STIHL recomienda cargar completamente la batería antes de usarla por primera vez.

Los cargadores STIHL AL 300 y AL 500 disponen de un ventilador incorporado. El ventilador puede encenderse y apagarse automáticamente mientras se carga la batería.

Utilice el cargador bajo techo, únicamente en recintos secos, y a una temperatura ambiente de 5 °C a 40 °C (41 °F a 104 °F).

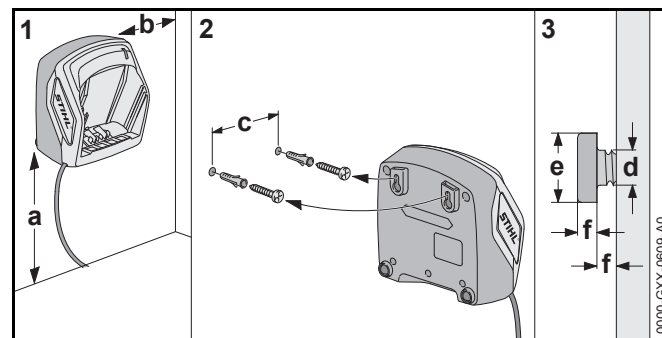
La batería se calienta durante el funcionamiento. Si se inserta una batería caliente en el cargador, posiblemente haya que dejarla enfriar antes de cargarla. El proceso de carga comienza únicamente cuando la batería está lo suficientemente fría.

El tiempo de carga depende de varios factores, tales como el estado de la batería y la temperatura ambiente. Para obtener una lista completa de tiempos de carga aproximados, visite www.stihl.com/charging-times.

7.3 Montaje del cargador en pared

Cuando instale el cargador, asegúrese de que no pasen cables eléctricos, tuberías u otros conductos de servicio por detrás de la pared donde lo instalará.

Para montar el cargador de pared:



- ▶ Monte el cargador bajo techo, en un lugar seco cerca del tomacorriente de pared.
- ▶ Coloque los tornillos en un montante de pared. Utilice anclajes de pared roscados adecuados u otros elementos de montaje similares si no hay montantes disponibles.

- ▶ Alinee el cargador de la manera ilustrada arriba. Realice la instalación en una pared que tenga las siguientes dimensiones:

- a = 450 mm (18 pulg) como mínimo
- b = 100 mm (3,9 pulg) como mínimo
- c (para el AL 101) = 75 mm (3,0 pulg)
- c (para el AL 300 y el AL 500) = 120 mm (4,7 pulg)
- d = 4,5 mm (0,2 pulg)
- e = 9 mm (0,4 pulg)
- f = 2,5 mm (0,1 pulg)

8 DIAGNÓSTICO POR LED

8.1 LED en el cargador

El estado del cargador se indica mediante un LED. El LED puede iluminarse en verde o destellar en rojo.



Si el LED se ilumina continuamente en verde: la batería se está cargando.

o

La batería está muy caliente o muy fría para cargarse. Para determinar la condición de la batería, revise los LED de la batería. Si hay una luz roja iluminada, deje que la batería se caliente o se enfríe gradualmente a una temperatura ambiente de aproximadamente 50 °F a 68 °F (10 °C a 20 °C).




Si el LED destella en rojo: no hay contacto eléctrico entre la batería y el cargador. Retire y vuelva a colocar la batería.

o

La batería está averiada y es necesario reemplazarla. Revise los LED de la batería. No utilice una batería ni la recargue si sus LED indican que ha habido una avería.

o

El cargador está averiado. Solicite a un concesionario de servicio STIHL autorizado que lo revise antes de usarlo.

Para obtener más información,  12.

9 TRANSPORTE

9.1 Cargador

Para transportar el cargador correctamente:

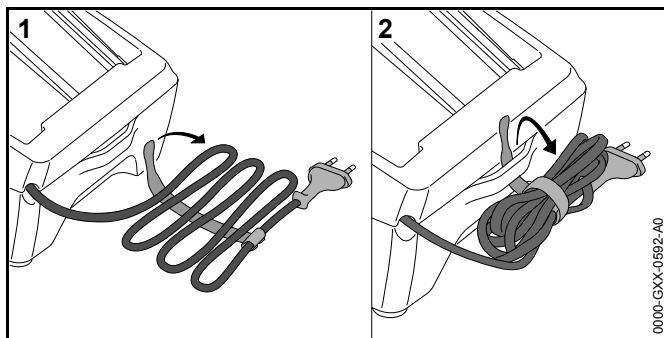
- ▶ Desconecte el cargador del tomacorriente de pared.
- ▶ Retire la batería del cargador.
- ▶ Enrolle el cordón eléctrico y sujételo al cargador.
- ▶ Cuando transporte el cargador en un vehículo, fíjelo y ubíquelo de modo que no se tumbe, se golpee o se dañe.

10 ALMACENAMIENTO

10.1 Cargador

Para almacenar el cargador correctamente:

- ▶ Retire la batería del cargador.
- ▶ Desconecte el cargador del tomacorriente de pared.



- ▶ Enrolle el cordón eléctrico y sujételo al cargador.
- ▶ Guarde el cargador bajo techo, en un lugar seco y bajo llave.
- ▶ Manténgalo fuera del alcance de los niños y de otras personas no autorizadas.

11 INSPECCIÓN Y MANTENIMIENTO

11.1 Cargador

⚠ ADVERTENCIA

Para reducir el riesgo de sufrir lesiones personales causadas por cortocircuitos o incendios, no intente reparar, abrir o desarmar el cargador. No contiene en su interior piezas que el usuario pueda reparar. Siempre desenchufe el cargador antes de limpiarlo.

Para realizar un cuidado adecuado del cargador:

- ▶ Mantenga la carcasa y los contactos eléctricos del cargador libres de materias extrañas.
- ▶ Efectúe la limpieza necesaria del cargador con un paño seco o con un cepillo suave y seco.
- ▶ Solicite a un concesionario de servicio STIHL autorizado que reemplace un cordón eléctrico dañado.

- ▶ Si las etiquetas de seguridad están dañadas o faltan, solicite etiquetas de repuesto a un concesionario de servicio STIHL autorizado.

Si usted está reclamando cobertura de garantía para algún componente que no ha sido reparado o mantenido debidamente, es posible que se deniegue la garantía.

12 GUÍA DE SOLUCIÓN DE PROBLEMAS

12.1 Cargador

Problema	LED del cargador	Causa	Solución
El LED del cargador destella en rojo.	El LED destella en rojo.	No hay contacto eléctrico entre el cargador y la batería.	► Retire la batería y vuelva a insertarla en el cargador.
		La batería no funciona correctamente.	► Retire la batería y vuelva a insertarla en el cargador. ► Si el LED sigue destellando, no intente cargar la batería. Si los 4 LED de la batería destellan, la batería está averiada y es necesario reemplazarla. De lo contrario, solicite a un concesionario de servicio STIHL autorizado que revise la batería.
		Cargador averiado.	► Solicite a un concesionario de servicio STIHL autorizado que revise el cargador.
El cargador no ejecuta la autopruueba.	El LED no se ilumina en verde durante aproximadamente 1 segundo y luego en rojo durante 1 segundo aproximadamente.	El contacto eléctrico con el cargador se ha interrumpido brevemente.	► Retire el enchufe del tomacorriente de pared. ► Espere 1 minuto. ► Inserte el enchufe en un tomacorriente de pared.

13 ESPECIFICACIONES

13.1 STIHL AL 101, AL 300, AL 500

- Voltaje de alimentación: Ver chapa de identificación
- Corriente nominal: Ver chapa de identificación
- Frecuencia: Ver chapa de identificación
- Corriente de carga: Ver chapa de identificación
- Potencia nominal: Ver chapa de identificación
- Aislamiento: Ver chapa de identificación
- Rango de temperatura ambiente permitido durante la carga: 41 °F a 104 °F (5 °C a 40 °C)

⚠ ADVERTENCIA

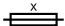
- Un circuito doméstico típico suministra entre 15 y 20 amperios. Un cargador STIHL AL 500 consume aproximadamente 4,8 A. Un AL 300 consume aproximadamente 4,4 A, mientras que un AL 101 consume aproximadamente 1,3 A. Para reducir el riesgo de incendios causados por la sobrecarga de un circuito eléctrico:
 - Compruebe que el circuito eléctrico tenga capacidad suficiente para suministrar el consumo eléctrico anticipado antes de cargar la batería.
 - Cargue varias baterías una por una, o en circuitos separados, a menos que se sepa que el circuito es capaz de soportar el consumo total anticipado de varios cargadores.


13.2 Símbolos del cargador


Símbolo	Explicación
V	Voltio
Hz	Hercio
A	Amperio
W	Vatio


Símbolo	Explicación
AC	Corriente alterna
IP20	Grado de protección eléctrica
X	El cordón eléctrico debe ser reemplazado por un repuesto STIHL de tipo idéntico.


— — — Corriente continua


 Fusible


 Lea el manual.

 Aislamiento: Categoría II (aislamiento doble)

 Utilice el cargador y guárdelo bajo techo y en un recinto seco.

 Marca de certificación/listado de CSA

 Comisión de Energía de California. Este sistema de batería cumple con los requisitos de eficiencia energética de la Comisión de Energía de California.

 Código del fabricante

13.3 Mejoras técnicas

STIHL tiene la filosofía de mejorar continuamente todos sus productos. Como resultado de ello, periódicamente se introducen cambios de diseño y mejoras. Por lo tanto, es posible que algunos cambios, modificaciones y mejoras no se describan en este manual. Si las características de funcionamiento o la apariencia de su máquina difieren de las descritas en este manual, comuníquese con el concesionario STIHL para obtener la ayuda que requiera.

13.4 Declaración de cumplimiento con norma FCC 15

Este dispositivo cumple con la parte 15 de las normas de la FCC.

El funcionamiento está sujeto a las dos condiciones dadas a continuación:

- este dispositivo no deberá causar interferencias nocivas.
- este dispositivo deberá aceptar todas las interferencias que reciba, incluso las interferencias que pudieran causar un funcionamiento no deseado.

Nota: Este equipo ha sido sometido a prueba y se ha hallado que cumple con los límites de los dispositivos digitales Categoría B, según la parte 15 del Reglamento de la FCC. Estos límites están diseñados para ofrecer protección razonable contra las interferencias nocivas en una instalación residencial. Este equipo genera, utiliza y puede irradiar energía a radiofrecuencias y, si no se lo instala y utiliza conforme a las presentes instrucciones, podría causar interferencias nocivas para las comunicaciones por radio. No obstante, no se ofrece garantía alguna de que la interferencia no ocurrirá en una instalación particular.


Si este equipo llegara a causar interferencias perjudiciales a la recepción de radio o televisión, lo cual puede determinarse encendiendo y apagando el equipo, se le indica al usuario que intente corregir la interferencia por medio de tomar una o más de las medidas siguientes:

- reoriente o cambie la ubicación de la antena de recepción,
- aumente la separación entre el equipo y el receptor,
- conecte el equipo a un tomacorriente de un circuito diferente al cual está conectado el receptor,
- consulte a un concesionario de servicio STIHL autorizado o a un técnico de radio/TV experto para recibir ayuda.

No cambie ni modifique este producto en modo alguno, a menos que se le indique específicamente hacerlo en este manual, puesto que podría anular la autoridad de usarlo.

14 PIEZAS Y EQUIPOS DE REPUESTO

14.1 Piezas de repuesto originales de STIHL

STIHL recomienda el uso de piezas de repuesto originales de STIHL. Es posible identificar las piezas originales de STIHL por el número de pieza STIHL, el logotipo de **STIHL** y, en ciertos casos, el símbolo  de piezas STIHL. En las piezas pequeñas el símbolo puede aparecer solo.

15 DESECHO

15.1 Eliminación del cargador

Los productos STIHL no se deben desechar junto con la basura del hogar, sino de la manera en que se detalla en este manual.

- ▶ Lleve el cargador y el embalaje a un vertedero autorizado para reciclarlos y contribuir con el cuidado del medio ambiente.
- ▶ Comuníquese con un concesionario de servicio STIHL autorizado para obtener la información más actualizada sobre eliminación y reciclado.

16 GARANTÍA LIMITADA

16.1 Política de garantía limitada de STIHL Incorporated

Este producto se vende sujeto a la Política de garantía limitada de STIHL Incorporated, disponible en www.stihlusa.com/warranty.html. También puede obtenerlo de un concesionario de servicio STIHL autorizado o llamando al 1-800-GO-STIHL (1-800-467-8445).

17 MARCAS COMERCIALES

17.1 Marcas comerciales registradas

STIHL®

STIHL®



La combinación de colores anaranjado-gris (Registros en EE. UU. #2,821,860; #3,010,057; #3,010,058; #3,400,477; y #3,400,476)

AutoCut®

YARD BOSS®

STIHL ROLLOMATIC®

WOOD BOSS®



FARM BOSS®

iCademy®

MAGNUM®

MasterWrench Service®

MotoMix®

OILOMATIC®

ROCK BOSS®

STIHL Cutquik®

STIHL DUROMATIC®

STIHL Quickstop®



STIHL WOOD BOSS®

TIMBERSPORTS®



17.2 Marcas comerciales por ley común

4-MIX™	HT Plus™
BioPlus™	STIHL PowerSweep™
Easy2Start™	STIHL Protech™
EasySpool™	STIHL MiniBoss™
ElastoStart™	STIHL MotoPlus 4™
Ematic™	Master Control Lever™
STIHL Precision Series™	STIHL OUTFITTERS™
FixCut™	STIHL PICCO™
Micro™	TrimCut™
Pro Mark™	STIHL M-Tronic™
Quad Power™	STIHL HomeScaper Series™
Quiet Line™	STIHL PolyCut™
STIHL Arctic™	STIHL RAPID™
STIHL Compact™	STIHL SuperCut™

STIHL Interchangeable Attachment Series™	STIHL Multi-Cut HomeScaper Series™
TapAction™	STIHL Territory™
	

Esta lista de marcas comerciales está sujeta a cambios.

Queda terminantemente prohibido todo uso de estas marcas comerciales sin el consentimiento expreso por escrito de ANDREAS STIHL AG & Co. KG, Waiblingen.

18DIRECCIONES

18.1 STIHL Incorporated

STIHL Incorporated
536 Viking Drive
P.O. Box 2015
Virginia Beach, VA
23452-2015

⚠ WARNING

This charger contains chemicals known to the State of California to cause cancer, birth defects or other reproductive harm.

⚠ ADVERTENCIA

Este cargador contiene productos químicos considerados por el Estado de California como causantes de cáncer, defectos de nacimiento u otra toxicidad reproductora.

0458-511-8621-D

englisch / spanisch USA



www.stihl.com



0458-511-8621-D